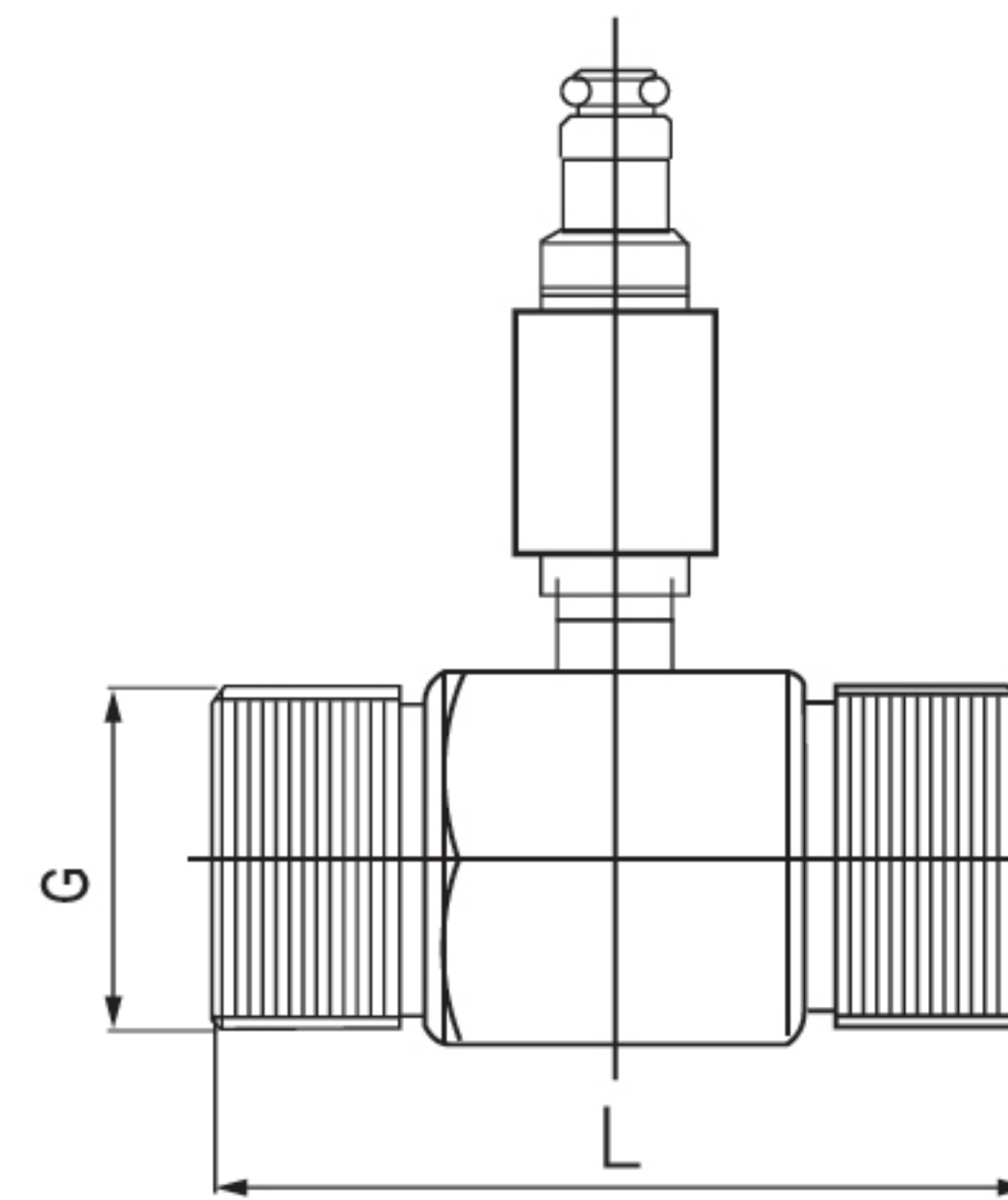


# The Serie KF500-VA Threaded Type Turbine Flowmeter

From DN2 to DN50, easy to install and maintain



The Series KF500-VA Threaded Type Turbine Flowmeter is widely used in industries such as petroleum, chemicals, and natural gas, including crude oil transportation and gas trade settlement. It is suitable for fluids without solid impurities, such as water and light oil products, but not for highly viscous or particle-containing media. The metering accuracy can reach  $\pm 0.5\%$  to  $\pm 1\%$ , making it commonly used in pipeline systems requiring precise flow monitoring, laboratory testing, etc. Its measurement principle relies on the fluid impacting the turbine blades, causing them to rotate at a speed proportional to the fluid velocity. As the blades rotate, they cut through the magnetic field of the magnetoelectric sensor, generating electrical pulse signals whose frequency correlates with the flow rate. By measuring the pulse frequency or accumulating the total number of pulses, both instantaneous and cumulative flow measurements are achieved.

## FEATURES

- Threaded connection for convenient installation
- Intuitive measurement with linear correlation between rotational speed and flow rate
- High measurement accuracy
- Simple structure, easy maintenance, low maintenance cost
- Suitable for clean liquids like water and oil, featuring a wide turndown ratio and broad application range
- Highly sensitive to flow changes, rapid response, capable of reflecting flow velocity fluctuations in real time

## APPLICATIONS

- Petrochemical Industry
- Metallurgical Industry
- Textile Industry
- Pharmaceutical Industry
- Semiconductor Industry
- Food and Beverage Industry
- Paper and Pulp
- Power Plants
- Urban Water Supply and Drainage
- Environmental Protection
- New Energy Industry
- Shipbuilding Industry

## SPECIFICATIONS

<b>Pipe Size</b>	DN2 - DN50
<b>Wetted Materials</b>	304 stainless steel, Optional 316 stainless steel
<b>Accuracy</b>	$\pm 0.5\%$ (DN2, DN3, and DN4 are $\pm 1\%$ )
<b>Ambient Temperature</b>	-25°C to 55°C
<b>Temperature Rating</b>	-20°C to 100°C
<b>Pressure Rating</b>	1.6MPa
<b>Process Connection</b>	Thread connection
<b>Power Supply</b>	24V DC, optional battery-powered
<b>Output</b>	4~20mA, pulse
<b>Enclosure Rating</b>	IP65

## MODEL CHART

Example	KF500-VA	-A	-1	-20	-IT	
<b>Series</b>	KF500-VA					Threaded Type Turbine Flowmeter
<b>Converter Type</b>		A				Integrated Type
		B				Remote Type
<b>Process Connection</b>			1			BSP Thread
			2			NPT Thread
<b>Pipe Size</b>				2		DN2, 1/4": 0.01m³/h-0.13m³/h, Pressure Loss: 0.12MPa, L=40mm, 0.5Kg(custom made)
				3		DN3, 1/4": 0.04m³/h-0.25m³/h, Pressure Loss: 0.12MPa, L=55mm, 0.7Kg(custom made)
				4		DN4, 1/2": 0.04m³/h-0.25m³/h, Pressure Loss: 0.08MPa, L=65mm, 0.5Kg
				6		DN6, 1/2": 0.1m³/h-0.6m³/h, Pressure Loss: 0.08MPa, L=65mm, 0.6Kg
				10		DN10, 1/2": 0.2m³/h-1.2m³/h, Pressure Loss: 0.05MPa, L=65mm, 0.7Kg
				15		DN15, 1": 0.4m³/h-4m³/h, Pressure Loss: 0.035MPa, L=75mm, 1Kg
				20		DN20, 1": 0.7m³/h-7m³/h, Pressure Loss: 0.035MPa, L=85mm, 1.2Kg
				25		DN25, 1-1/4": 1m³/h-10m³/h, Pressure Loss: 0.025MPa, L=100mm, 1.7Kg
				32		DN32, 1-1/2": 1.6m³/h-16m³/h, Pressure Loss: 0.025MPa, L=120mm, 2.2Kg
				40		DN40, 2": 2.5m³/h-25m³/h, Pressure Loss: 0.025MPa, L=140mm, 3Kg
			50		DN50, 2-1/2": 4m³/h-40m³/h, Pressure Loss: 0.025MPa, L=150mm, 4Kg	
<b>Product Type</b>					PT	3-wire, 24V DC power supply, pulse output
					CT	2-wire, 24V DC power supply, 4-20mA output
					BT	Battery-powered, with displays of instantaneous and cumulative flow, no output signal
					IT	Smart type, with both 24V DC and 220V AC power supplies, with 4-20mA, pulse outputs, with displays of instantaneous and cumulative flow